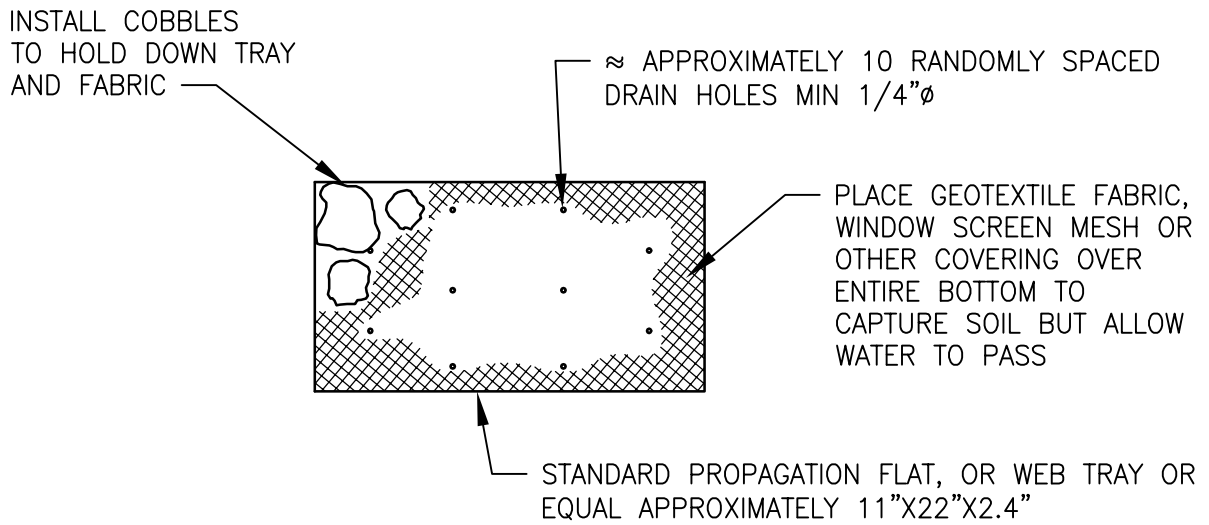


CROSS SECTION



PLAN VIEW



Wenck
 Consulting Engineers

Web Site: www.wenck.com
 1800 PIONEER CREEK CENTER 763-479-4200
 MAPLE PLAIN, MN 55359 763-479-4242

CLIENT
 SHINGLE CREEK/WEST
 MISSISSIPPI WATERSHED
 COMMISSION

PROJECT
 SHEET TITLE
STAUNER SEDIMENT TRAP

REV	DWN	APP	REV DATE	DWN BY	CHK'D	APP'D	DWG DATE	FEB. 2009	PROJECT NO.	SHEET NO.	REV NO.
A	CVE	EAM	02-16-2009	CVE	EAM	EAM	SCALE	NOT TO SCALE	1240-84	FIGURE 2	A