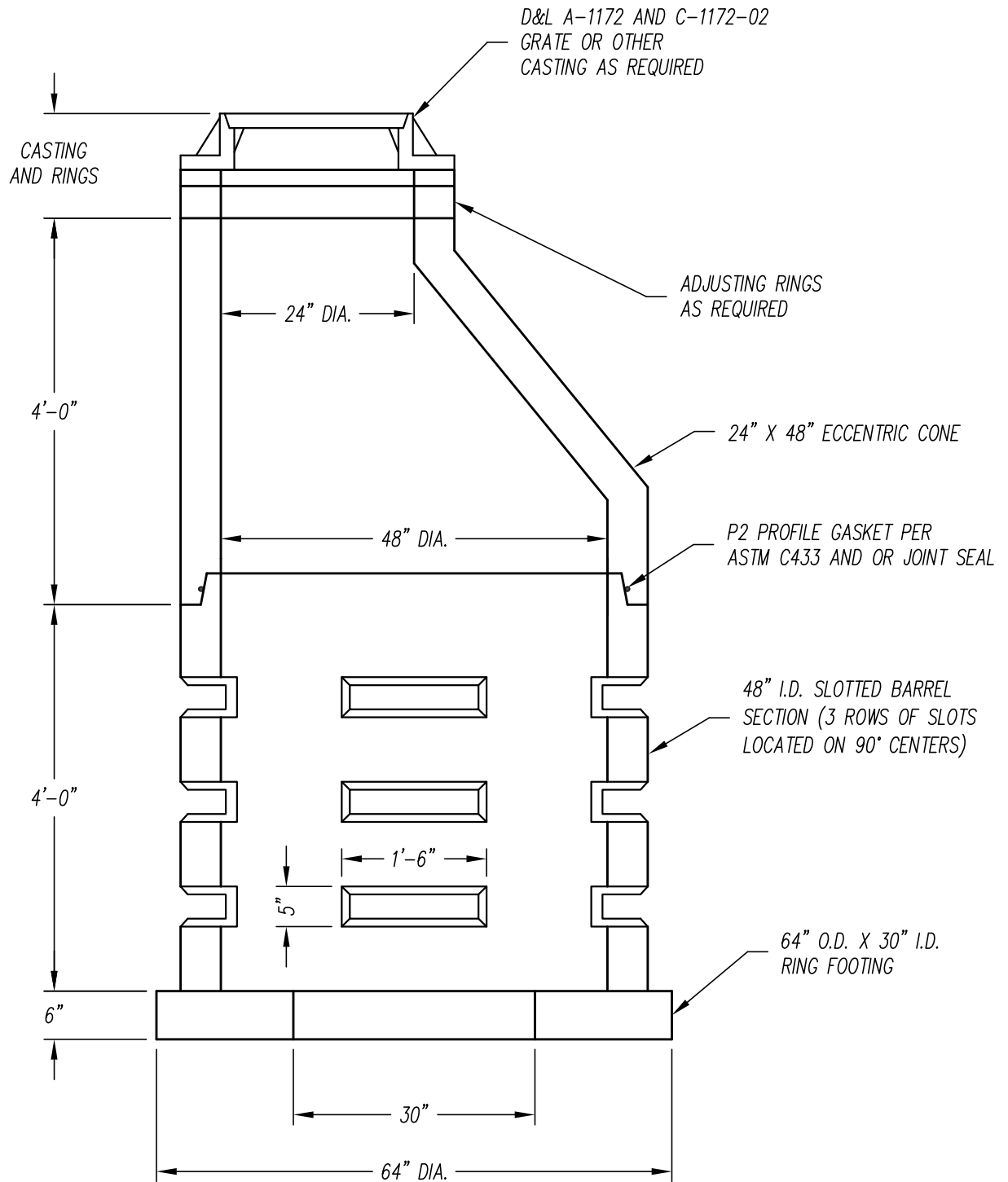


SLOTTED BARREL DRYWELL MANHOLE



SECTION